



OPTIONS



DESCRIPTION

2-phase, high-torque stepper motor in size NEMA 34 (86mm) with a step angle (full step) of 1.8° in protection class IP65 (except shaft outlet). Because they have the same flange size as the standard motor ST89, these motors are electrically and mechanically interchangeable.

VERSIONS

Type	Current per Winding A	Holding Torque Ncm	Resistance per Winding Ohm	Inductance per Winding mH	Rotor Inertia gcm ²	Weight kg	Length „A“ mm	Encoder Supply Voltage V	Brake Torque Ncm
AS8918L9504-E24	9.5	933	0.26	2.7	3000	4.35	148	24	
AS8918L9504-E24B	9.5	933	0.26	2.7	3000	5	218	24	400

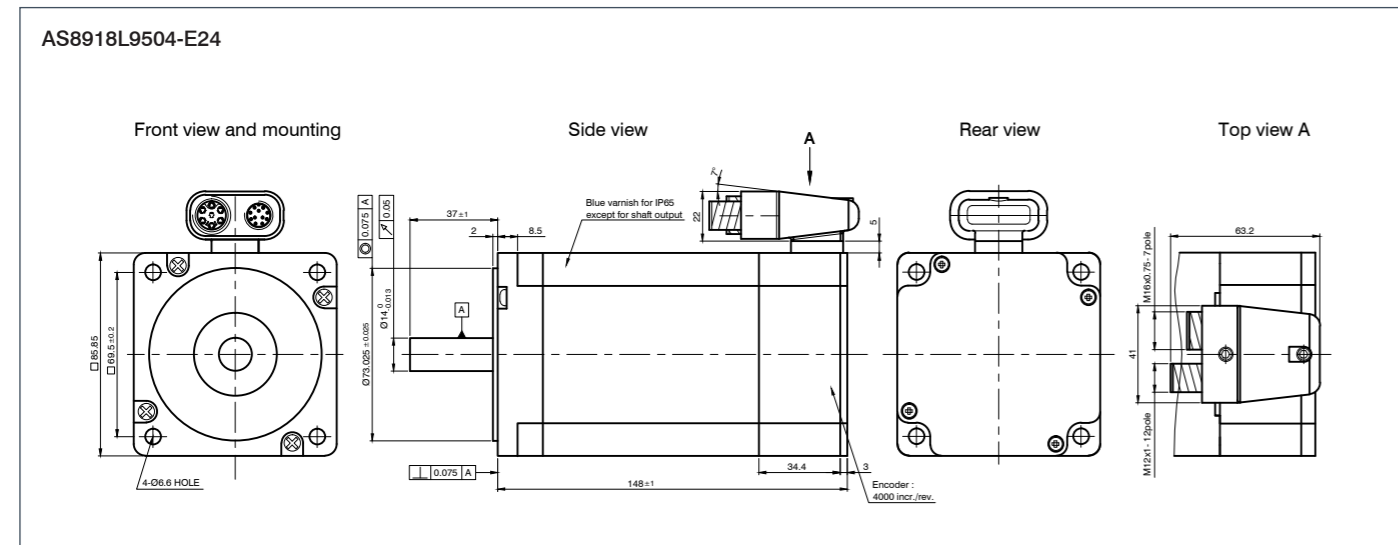
ORDER IDENTIFIER

AS8918L9504-
 E24 = with 24-V encoder
 E24B = with 24-V encoder and brake

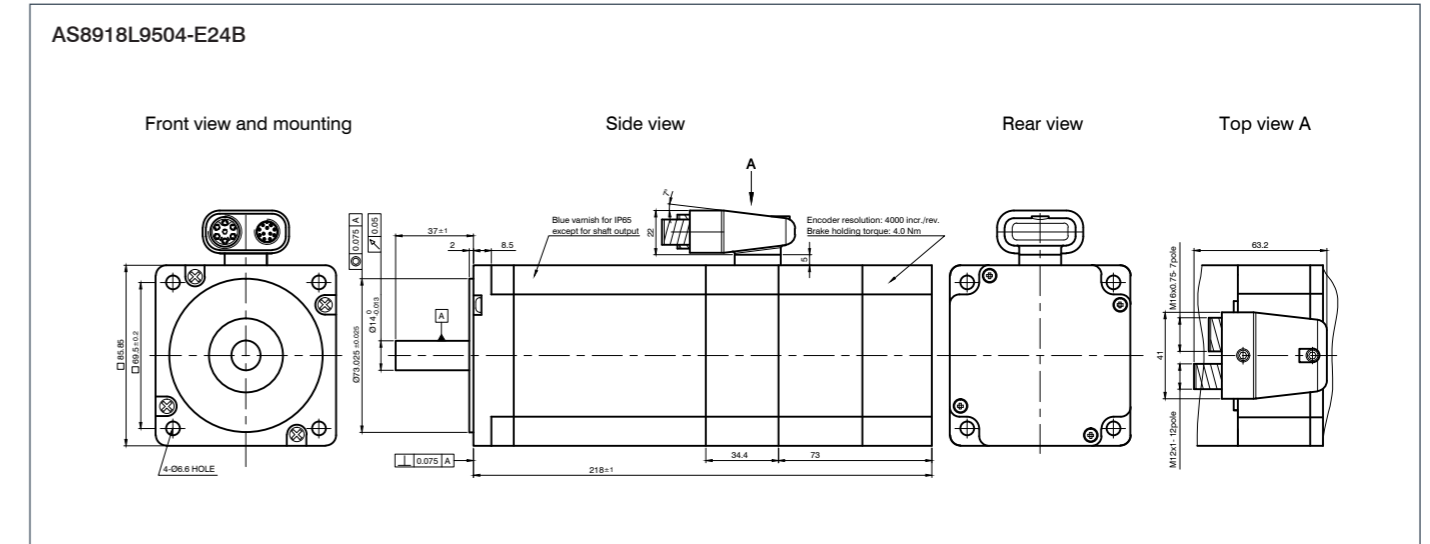
ACCESSORIES

ZK-TW-7-2M M16 (TW) Cabel
ZK-M12-12-2M-1-PUR-S M12 Cable
ZK-M12-12-2M-2-PUR-S M12 Cable

DIMENSIONS (IN MM)



DIMENSIONS (IN MM)



TORQUE CURVES

